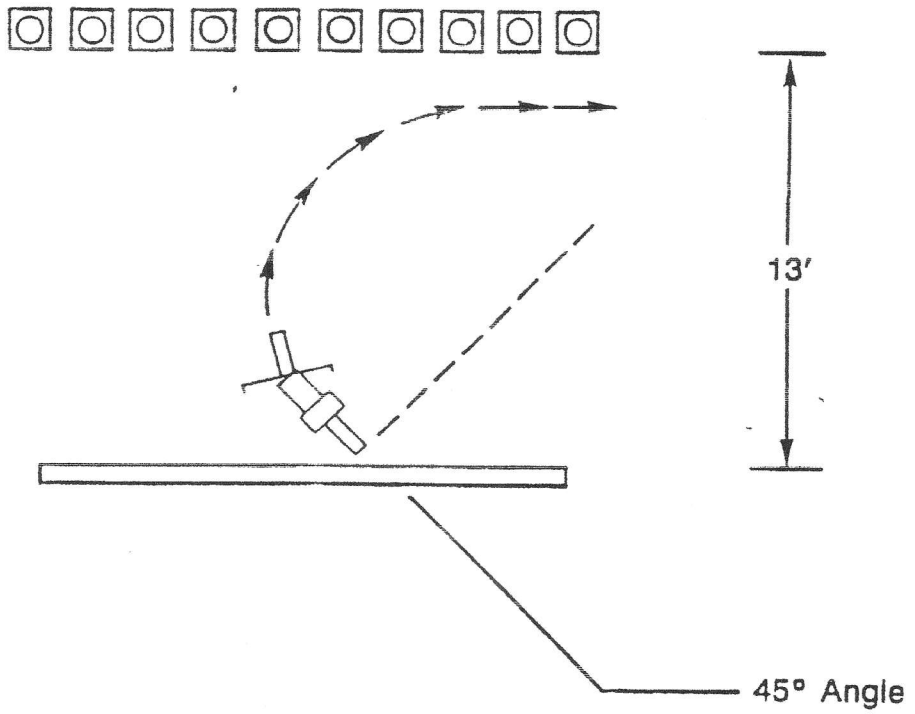


45° PULL-OUT



Pull out can be made in either direction.